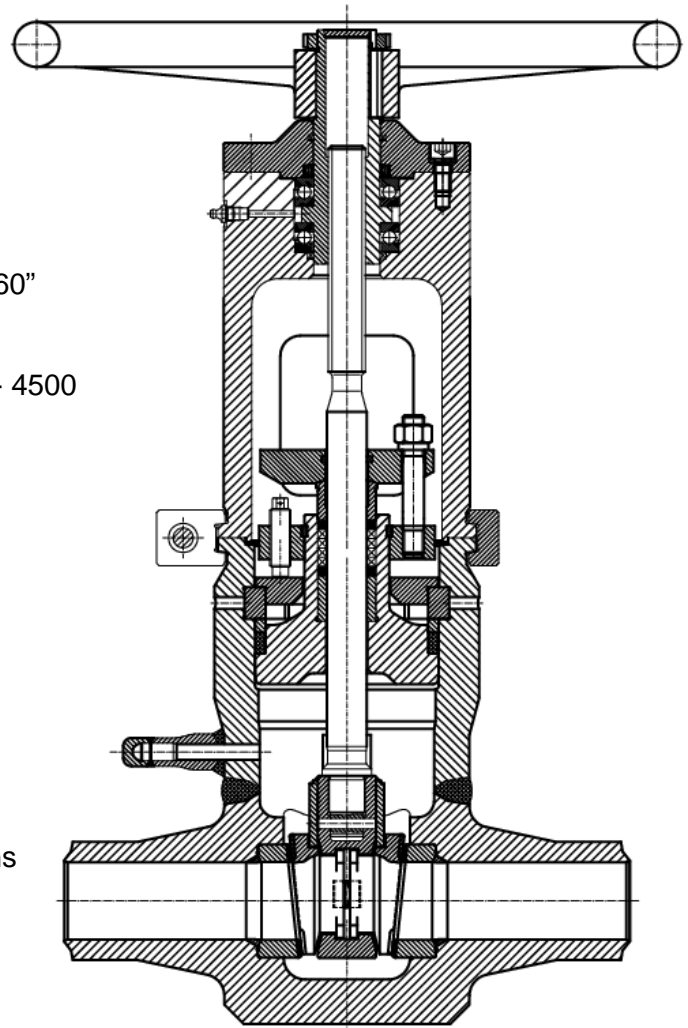


Wedge Gate Valve type K

200 MW / 300 MW / 600 MW / 750 MW / 1000 MW

- High-pressure valve
- DN 80 – 1500 / NPS 3” – 60”
- PN 20 – 630 / ANSI Class 150 - 4500
- Wedge plug
- High steam temp. acceptable
- High water temp. acceptable
- Bypass on request



| | |
|-------------------------|---|
| Nominal Size: | DN 80 - 1500 / NPS 3" - 60" other sizes on request |
| Rating: | PN 20 - 640 / Class 150 - 4500 other ratings on request |
| Control characteristic: | on - off |
| Design: | forged steel-welding construction, straight pattern |
| Connections: | welding ends, flanges |
| Actuators: | hydraulic actuator, electric actuator, manual operated according to specifications |

All materials according to DIN or ANSI / ASTM.
 For the main parts of our valves we use standard
 material as listed below or according to our
 customer specifications.

| Material acc. to DIN | Description acc. to DIN | Material ASTM/AISI/ASME |
|-------------------------|----------------------------|----------------------------|
| 1.0460 | C22.8 | ASTM A105 |
| 1.4541 | X6CrNiTi18-10 | SUS 321 |
| 1.4571 | X6CrNiMoTi17-12-2 | SUS 316Ti |
| 1.4903 | X10CrMoVNb9-1 | ASTM A182 F91 |
| 1.4922 | X20CrMoV12-1 | - |
| 1.5415 | 16Mo3 | ASTM A182 F1 |
| 1.7335 | 13CrMo4-5 | ASTM A182 F12 |
| 1.7380 | 10CrMo9-10 | ASTM A182 F22 |