

Leak-off Valve type MIME (Minimum flow valve)

200 MW / 300 MW / 600 MW / 750 MW / 1000 MW

- High-pressure valve with safety function
- DN 25 - 250
- PN 50 - 250
- Single path
- Multi stage
- Low water temp. acceptable

DN: 25 – 250 / NPS 1” - 10”
 PN: 64 – 300 / ANSI CLASS 300-1500
 other sizes on request

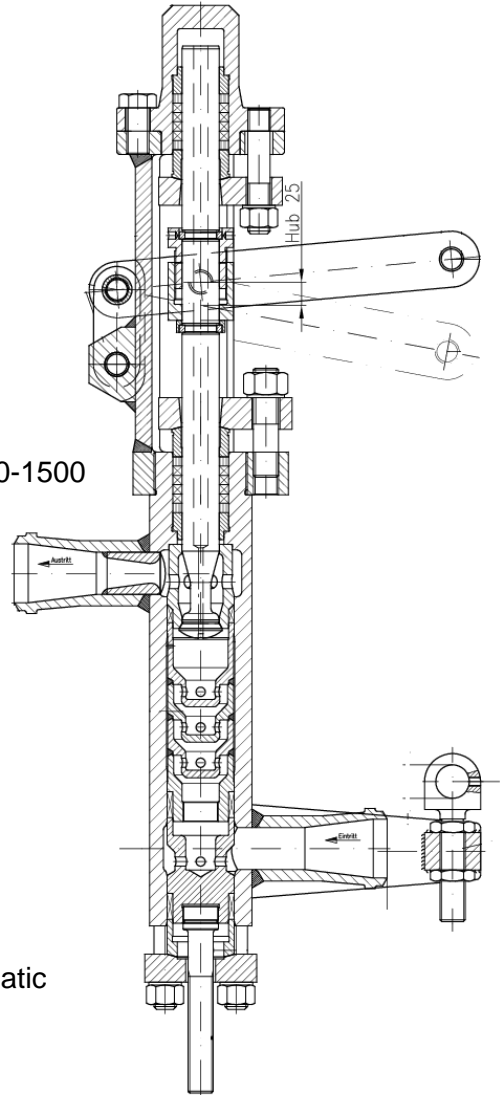
Control Range: 1:25, 1:30, 1:50
 according to specifications

Control characteristic: 2 point control,
 linear

Design: forged steel-welding
 construction,
 z-type

Connections: welding ends, flanges

Actuators: hydraulic, electric or pneumatic
 actuated over lever,
 according to specifications



All materials according to DIN or ANSI / ASTM. For the main parts of our valves we use standard material as listed below or according to our customer specifications.

Material acc. to DIN	Description acc. to DIN	Material ASTM/AISI/ASME
1.0460	C22.8	ASTM A105
1.4541	X6CrNiTi18-10	SUS 321
1.4571	X6CrNiMoTi17-12-2	SUS 316Ti
1.4903	X10CrMoVNb9-1	ASTM A182 F91
1.4922	X20CrMoV12-1	
1.5415	16Mo3	ASTM A182 F1
1.7335	13CrMo4-5	ASTM A182 F12
1.7380	10CrMo9-10	ASTM A182 F22